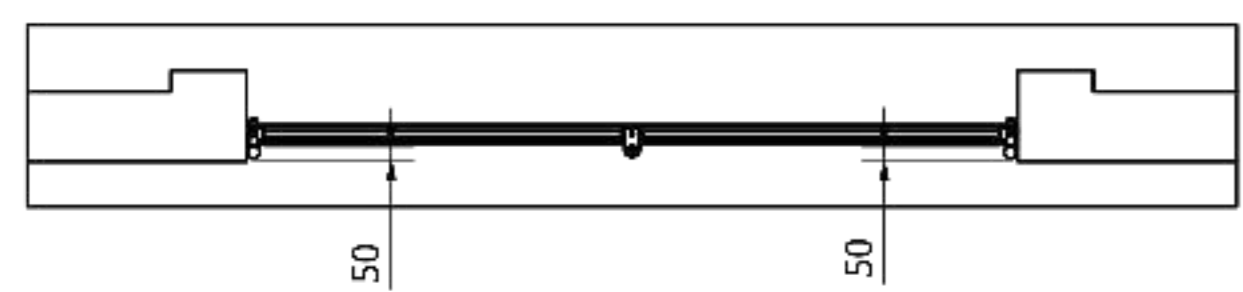
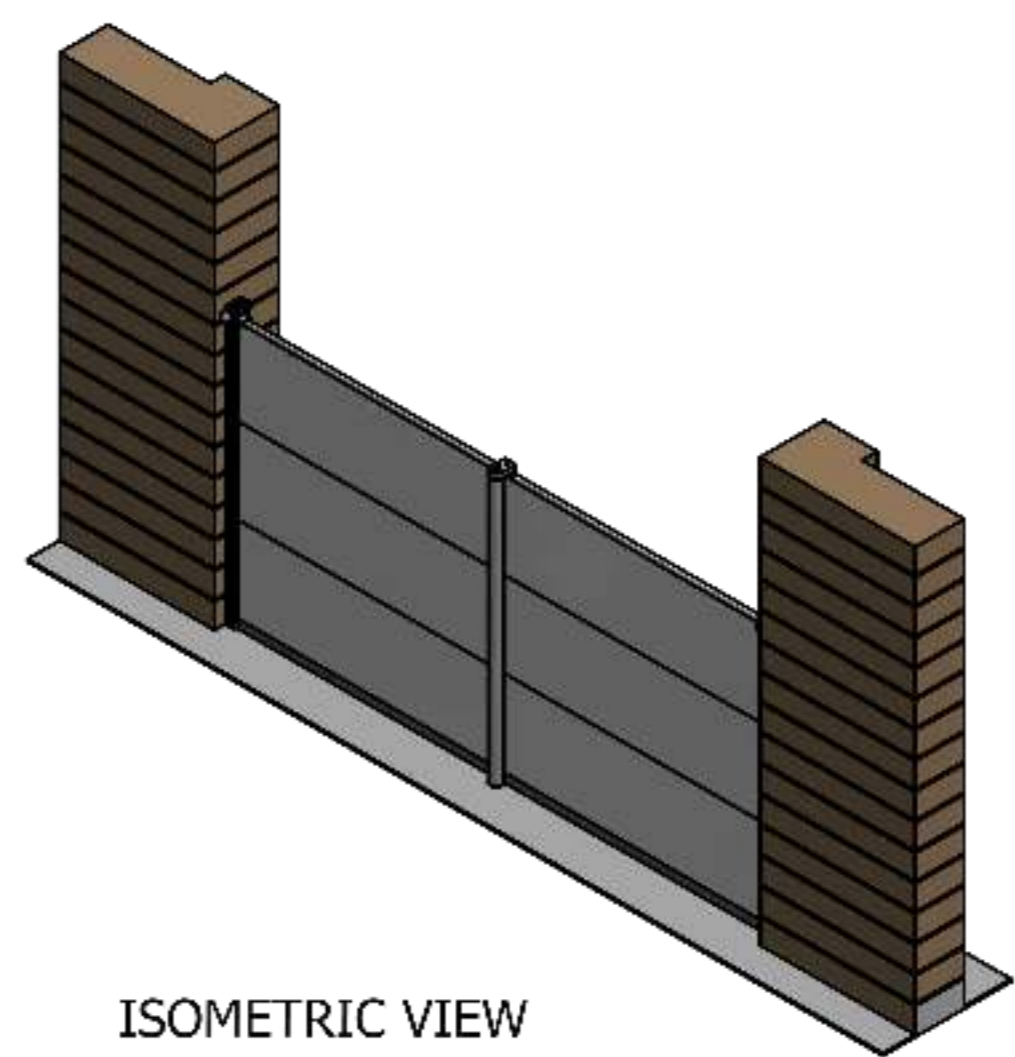


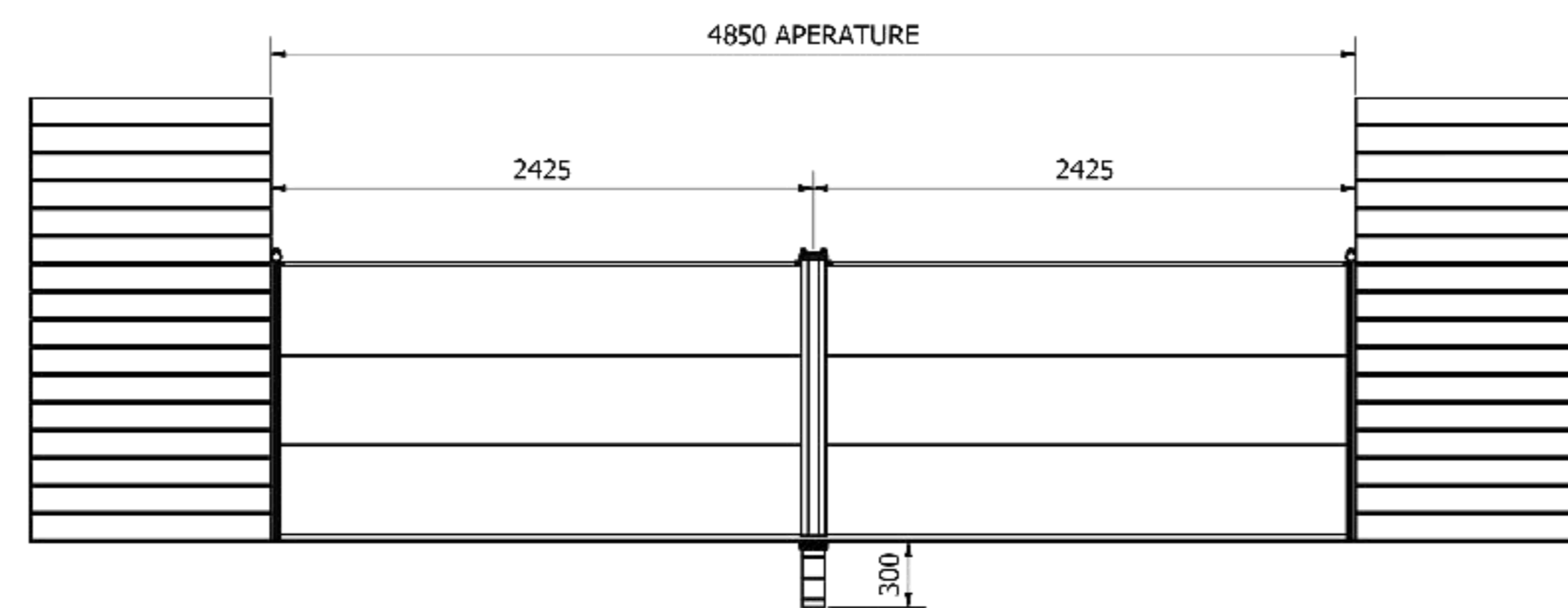
REVEAL FIXING WITH COMPRESSION POST



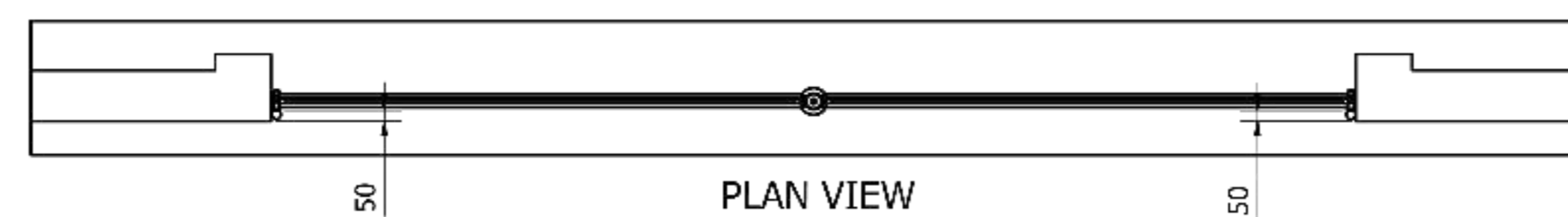
PLAN VIEW



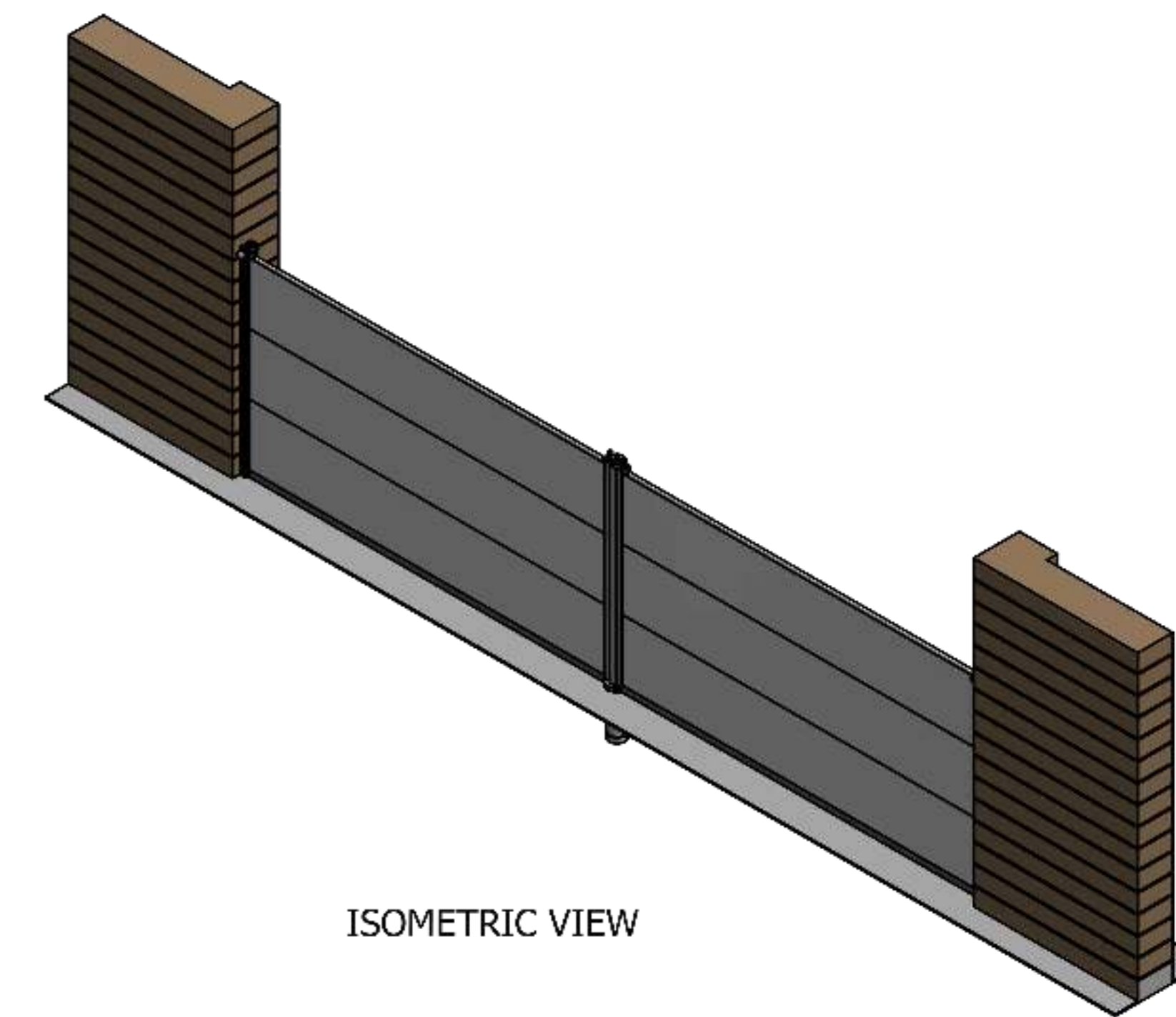
ISOMETRIC VIEW



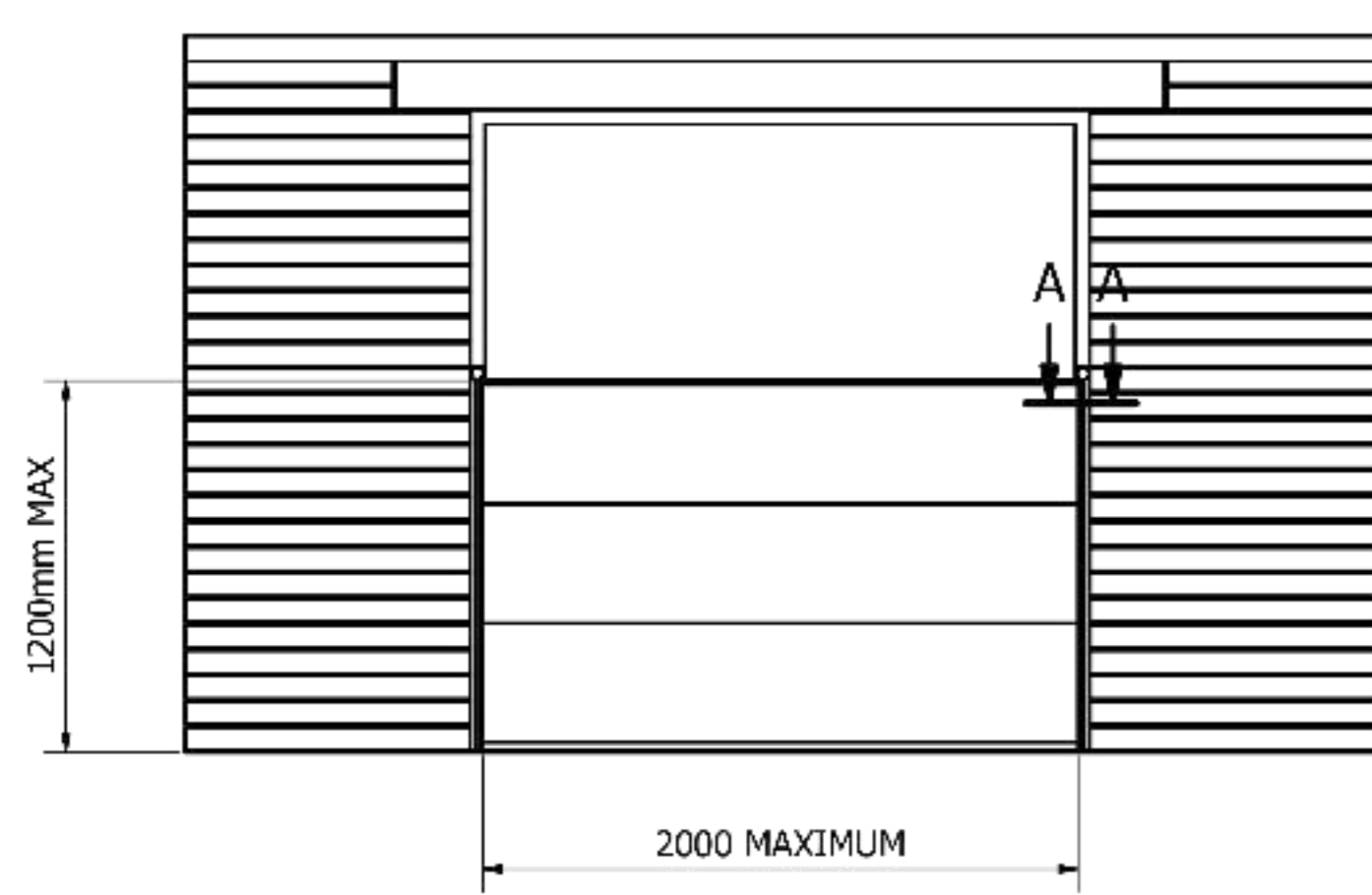
REVEAL FIXING WITH DEMOUNTABLE POST



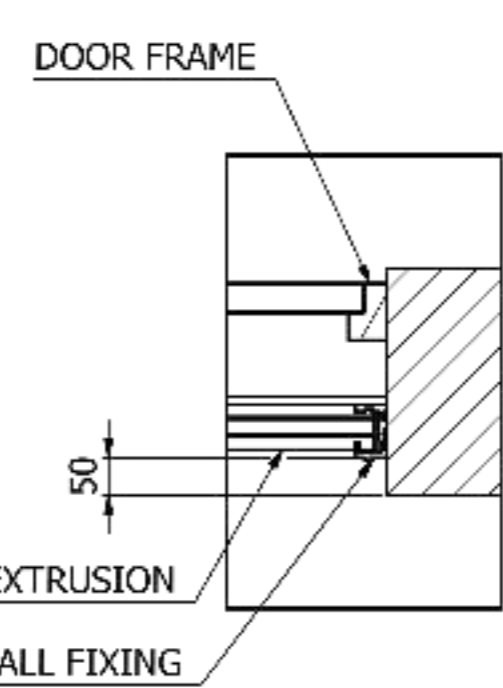
PLAN VIEW



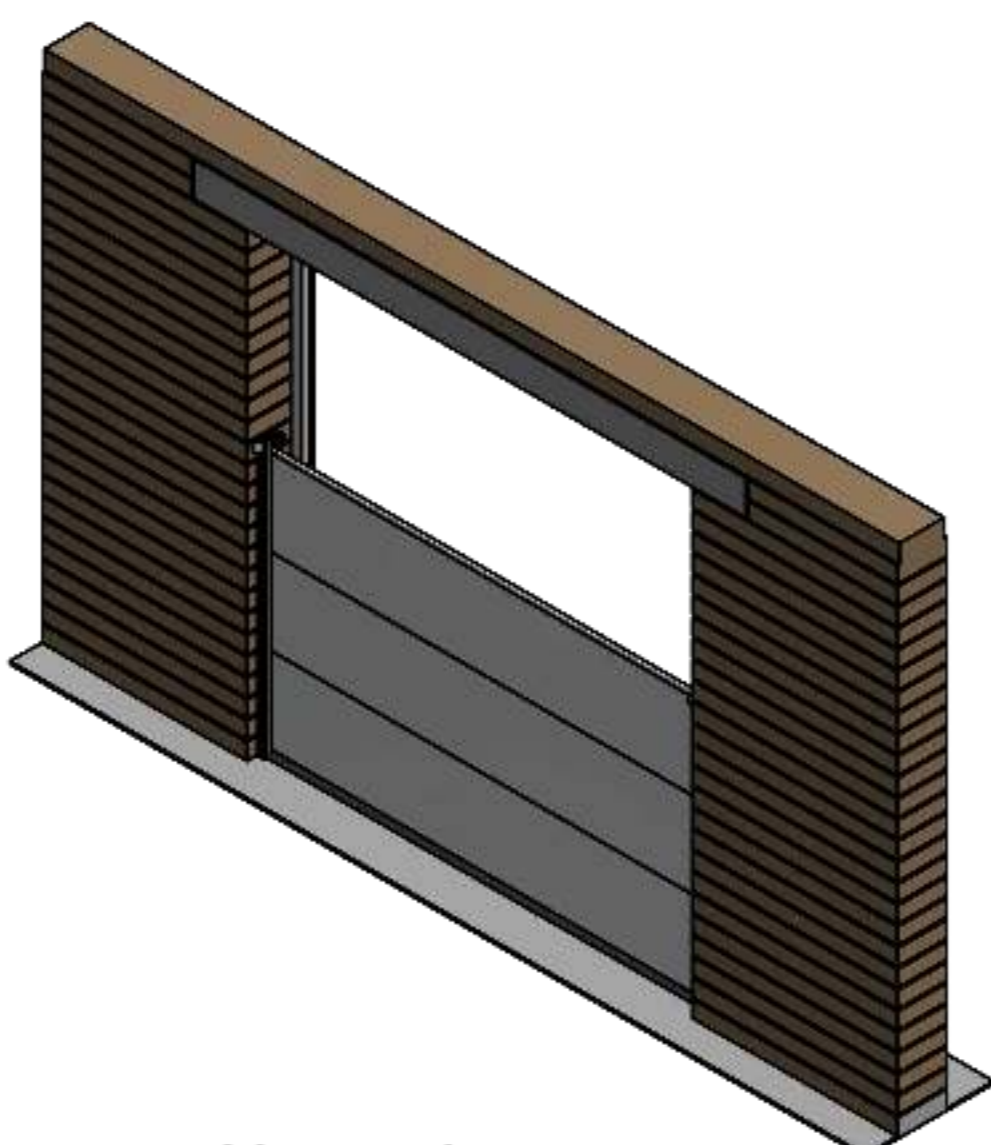
ISOMETRIC VIEW



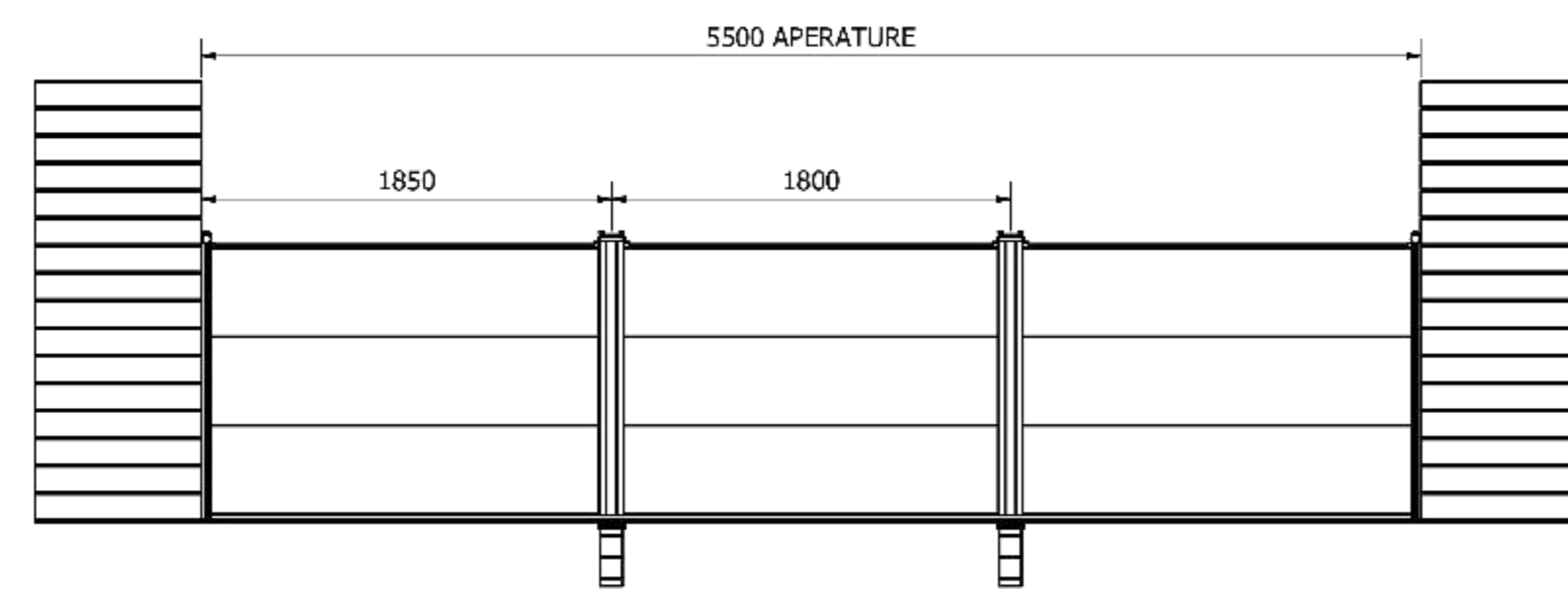
PLAN VIEW



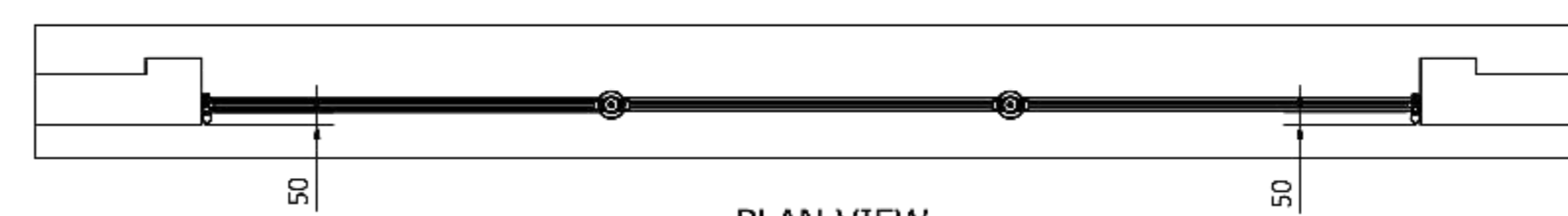
SECTION A-A
1:10



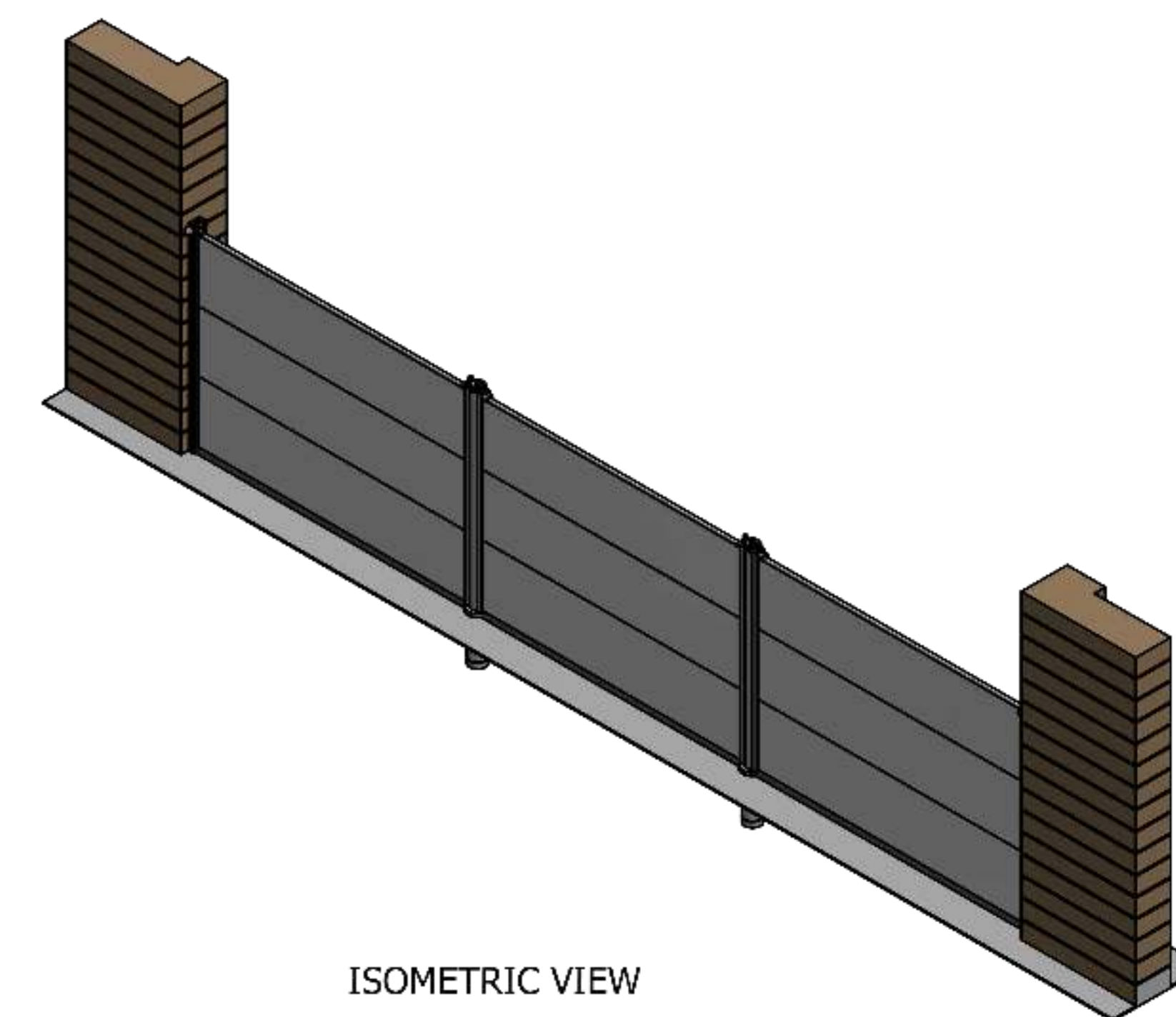
ISOMETRIC VIEW



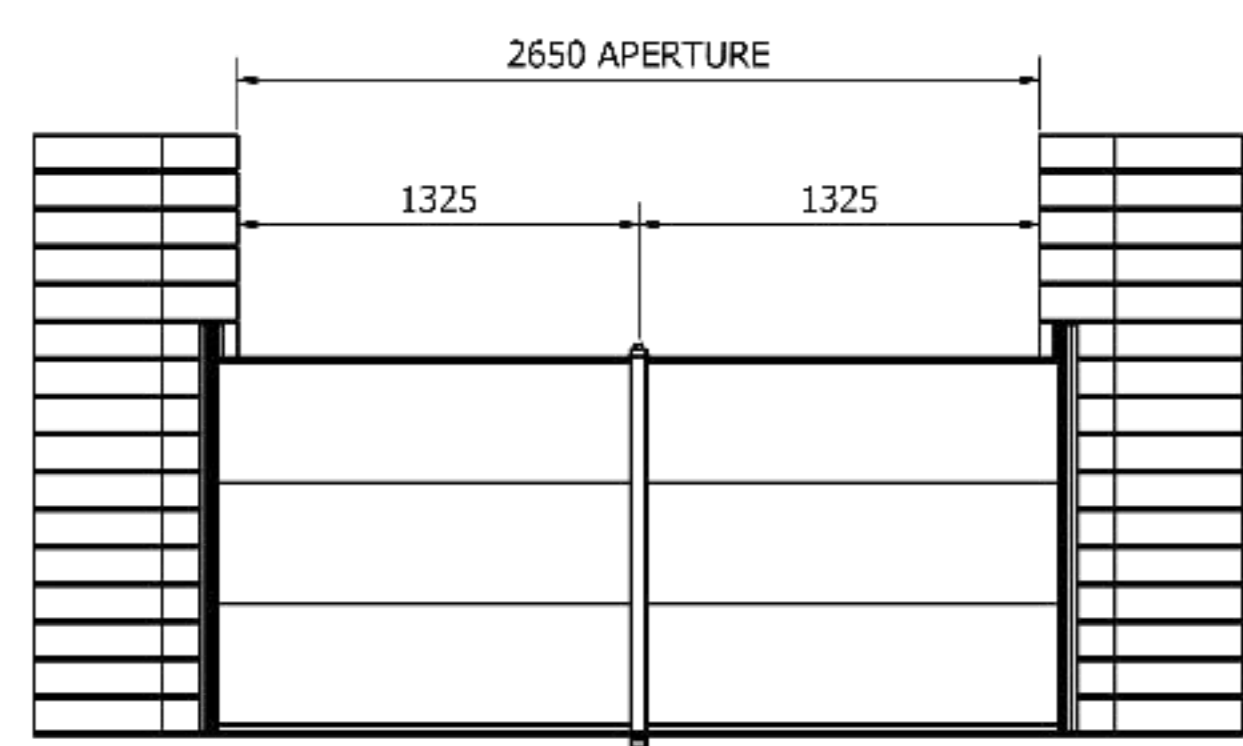
REVEAL FIXING WITH MULTIPLE DEMOUNTABLE POST



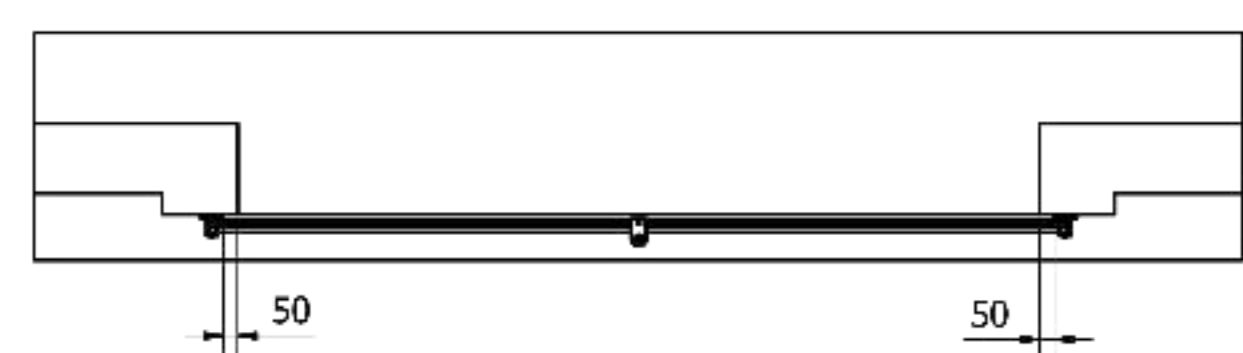
PLAN VIEW



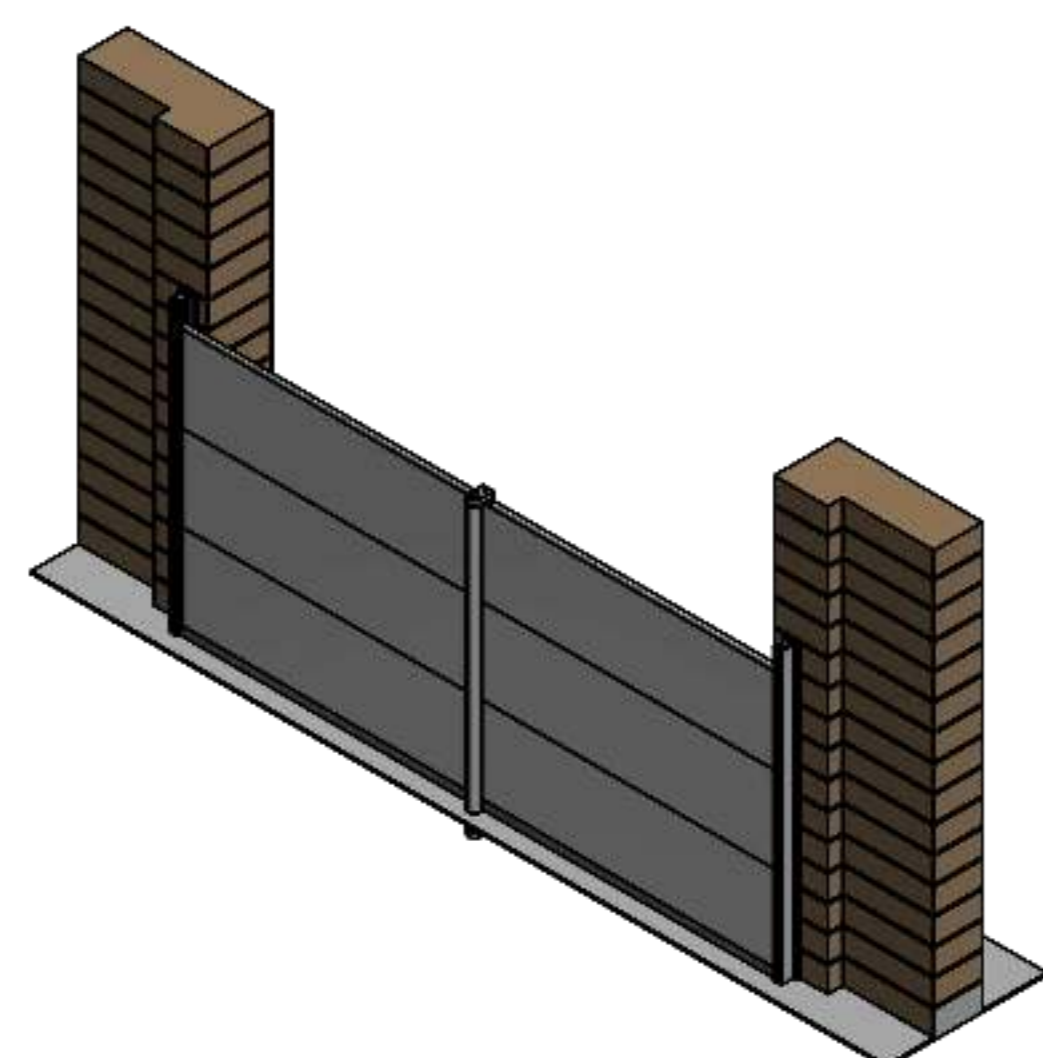
ISOMETRIC VIEW



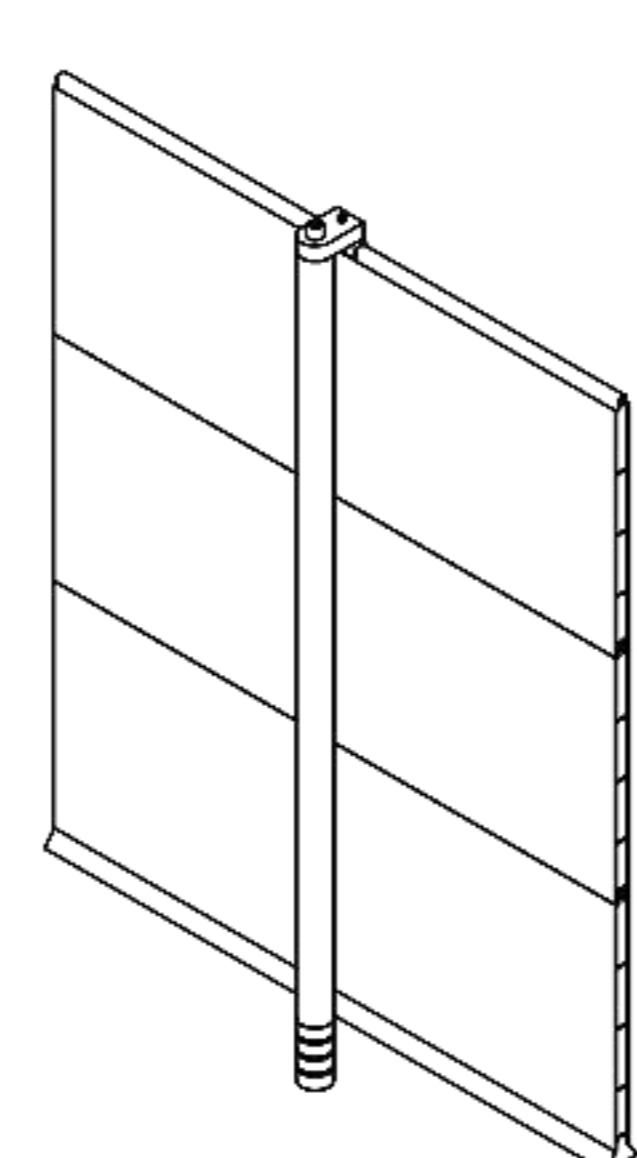
FACE FIXING WITH COMPRESSION POST



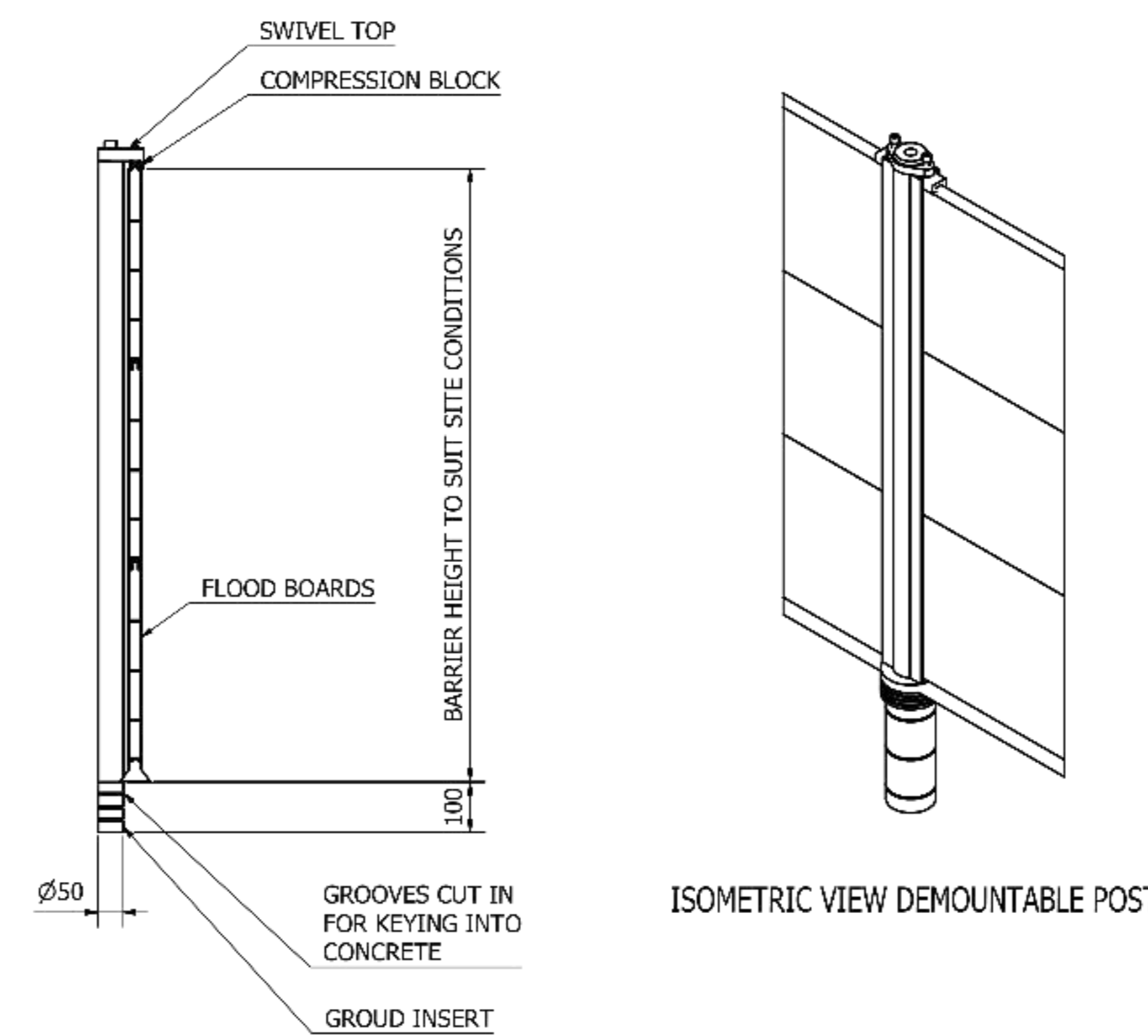
PLAN VIEW



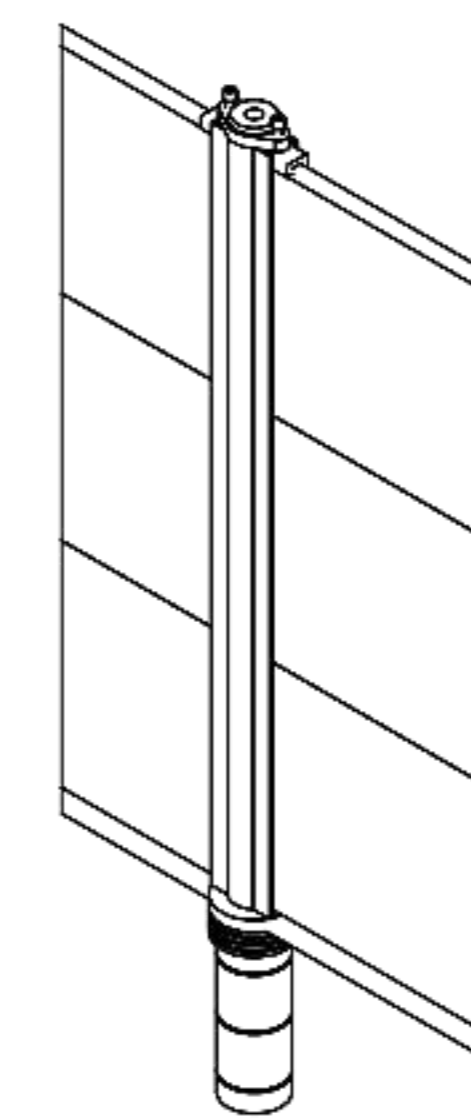
ISOMETRIC VIEW



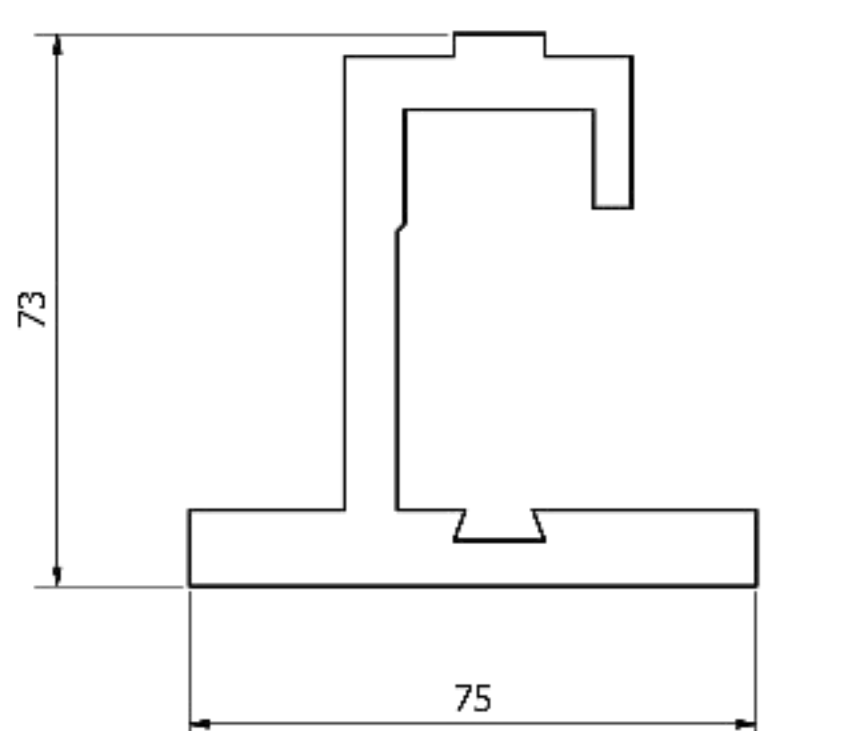
ISOMETRIC VIEW OF COMPRESSION POST



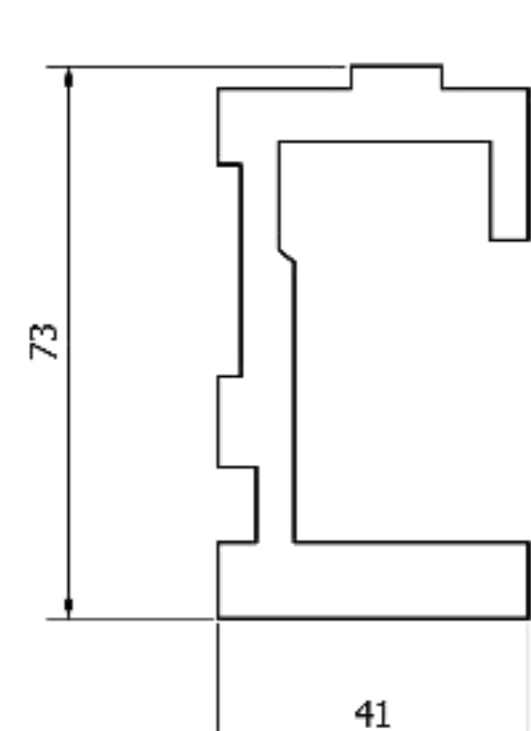
ARRANGEMENT OF COMPRESSION POST



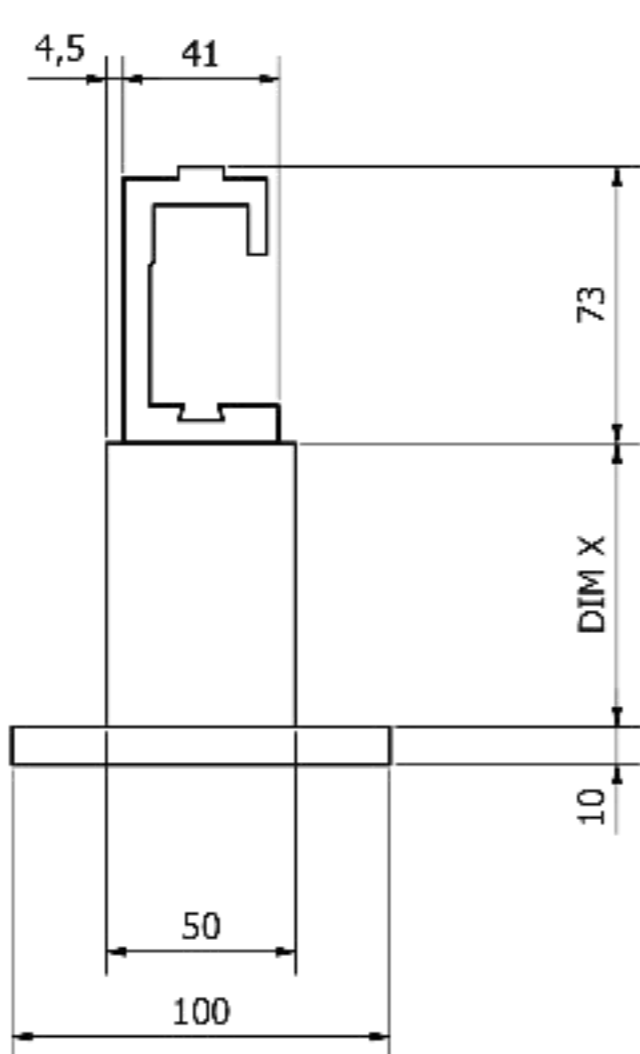
ISOMETRIC VIEW DEMOUNTABLE POST



STANDARD FACE FIXING PROFILE

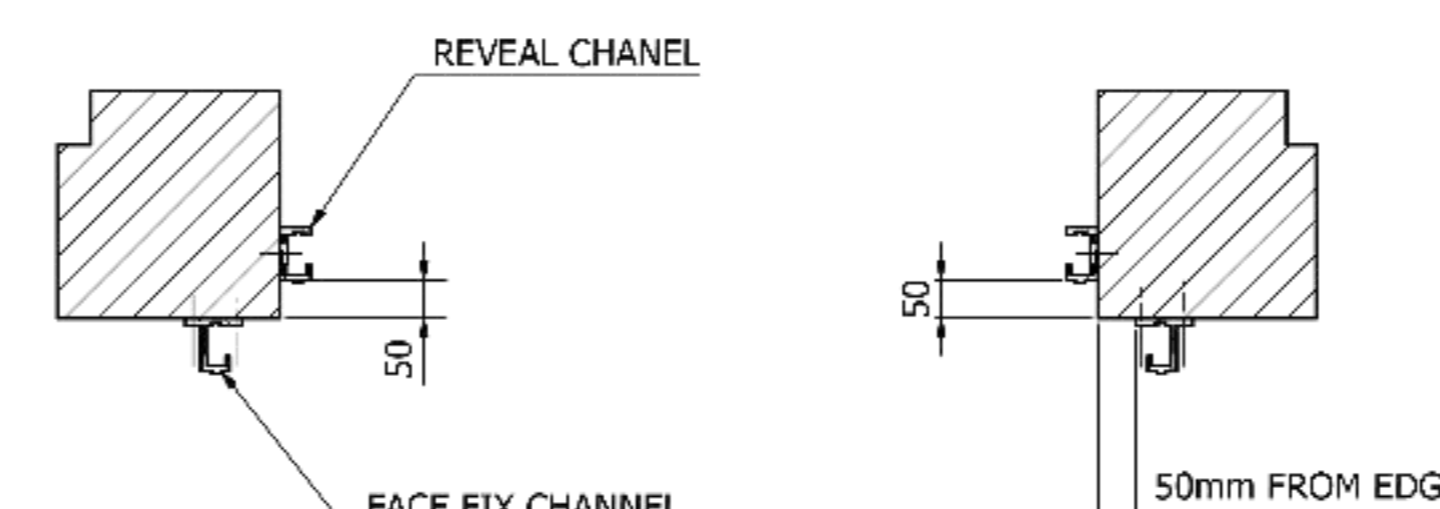


STANDARD REVEAL FIXING PROFILE



PACKING AVAILABLE FOR FACE FIXING

PACKING SIZES	
DIM X	
25mm	
50mm	
75mm	
100mm	



REVEAL & FACE FIX CHANNELS



Project No.	2013/0842A	Scale	1:10
Client	NAL US 400 SYS -V	Revision	16953
Date	16/05/2013	Drawn by	
FLOOD BARRIER ARRANGEMENTS			